




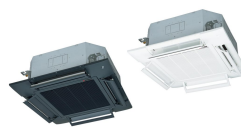
# TEMPERATURE CONTROL FOR TODAY & TOMORROW



# MITSUBISHI HEAVY INDUSTRIES

## FDT250VSAWDVH

### 25.0 KW



Unitate internă : FDT60VH-x-4



Unitate externă : FDC250VSA-W

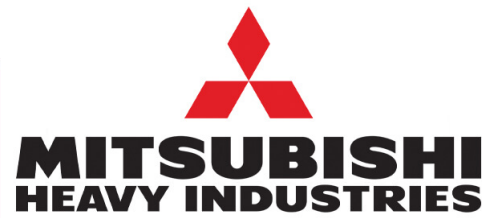
## Specificații tehnice

R32

Unitate internă		FDT60VH x 4	
Unitate externă		FDC250VSA-W	
Sursă de alimentare		Trifazic 380-415V, 50Hz / 380V, 60Hz	
Capacitate nominală de răcire (Min-Max)		kW	25.0 ( 5.2 ~ 28.0 )
Capacitate nominală de încălzire (Min-Max)		kW	28.0 ( 7.2 ~ 31.5 )
Power Consumption	Răcire/Încălzire	kW	7.30 / 6.80
EER/COP	Răcire/Încălzire	kW	3.42 / 4.12
Curent de intrare		A	5
Max. curent		A	20
Nivel putere sonoră*1	U.I.*3	Răcire/Încălzire	58 / 59
	U.E.	Răcire/Încălzire	73 / 75
Nivel presiune sonoră*1	U.I.*3	Răcire (P-Hi/Hi/Me/Lo)	44 / 34 / 30 / 27
		Încălzire (P-Hi/Hi/Me/Lo)	44 / 34 / 30 / 23
	U.E.	Răcire/Încălzire	58 / 62
Flux de aer	U.I.*3	Răcire (P-Hi/Hi/Me/Lo)	26 / 17 / 14 / 11
		Încălzire (P-Hi/Hi/Me/Lo)	26 / 17 / 14 / 11
	U.E.	Răcire/Încălzire	148 / 153
Exterior dimensions	U.I.	HeightxWidthxDepth	mm Unitate: 236 x 840 x 840 Panou: 35 x 950 x 950
	U.E.		mm 1,505 x 970 x 370
Greutate netă		U.I./U.E.	kg 26(Unitate:21 Panou standard:5) / 145
Refrigerant Type GWP		R32/675	
Ref.piping size	Lichid/Gaz	Ă,mm	12.7(1/2") / 22.22(7/8")
Lungime țevă refrigerant (o direcție)		m	Max.70
Diferență de nivel suportată		Unitate externă este mai sus/mai jos	m Max.50 / Max.15
Interval de funcționare - temperatură exterioară	Răcire*2	°C	-15~50
	Încălzire	°C	-20~20
Panou		T-PSA-5BW-E, T-PSAE-5BW-E(Alb) / T-PSA-5BB-E, T-PSAE-5BB-E(Negru)	
Filtru de aer, cantitate		Filtru lavabil din plastic x 1 (Lavabil)	
Telecomandă (opțional)		Cu fir: RC-EX3A, RC-E5, RCH-E3 Wireless: RCN-T-5BW-E2, RCN-T-5BB-E2	

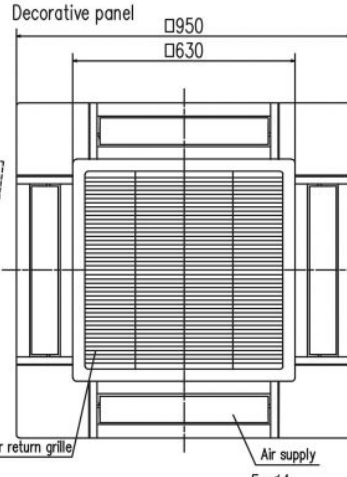
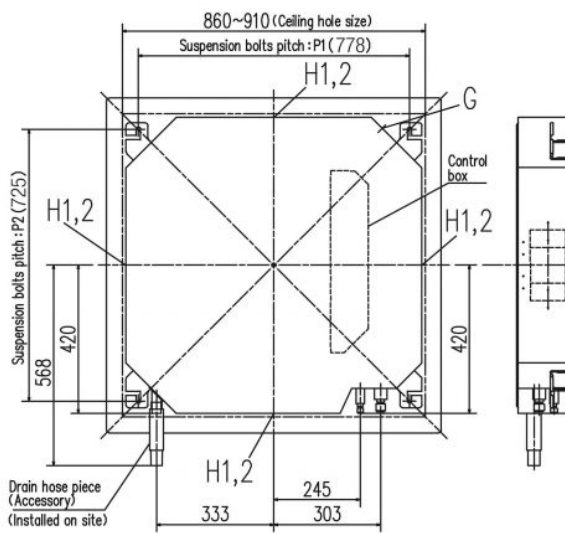


# TEMPERATURE CONTROL FOR TODAY & TOMORROW



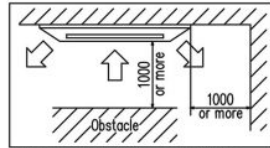
## Schema tehnică

Models FDT40VH, 50VH, 60VH, 71VH

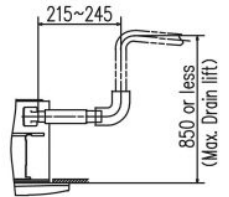
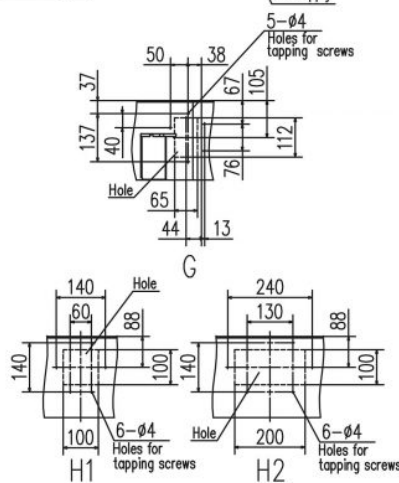
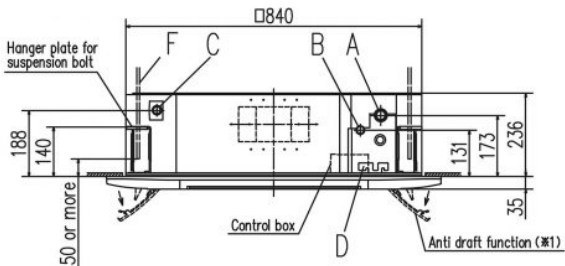


Symbol	Content	40,50,60	71
A	Gas piping	φ12.7 (1/2") (Flare)	φ15.88 (5/8") (Flare)
B	Liquid piping	φ6.35 (1/4") (Flare)	φ8.52 (3/8") (Flare)
C	Drain piping	VP25 (O.D.32)	
D	Hole for wiring	(M10 or M8)	
F	Suspension bolts	(M10 or M8)	
G	Outside air opening for ducting	(Knock out)	
H1	Air outlet opening for ducting	φ125 (Knock out)	
H2		φ200 (Knock out)	

Space for installation and service

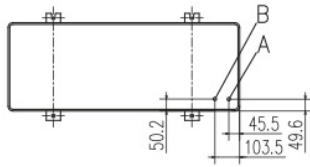


Make a space of 5000 or more between the units when installing more than one.



- Notes (1) The model name label is attached to the control box lid.  
 (2) Suspension bolt pitch P1,P2 is adjustable by a pattern of the right table.  
 (3) Section 1 (※1) is provided on the panel T-PSAE-5AW-E only.

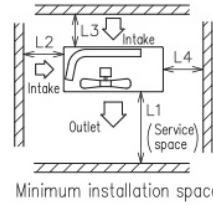
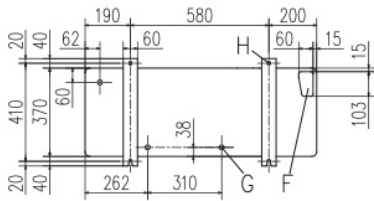
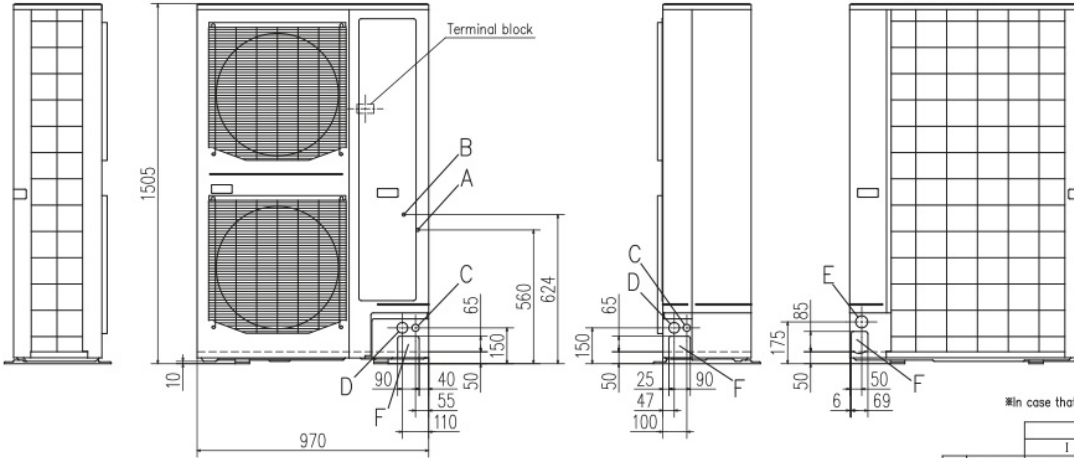
Symbol	Suspension bolt pitch range	
Pattern	P1	P2
1	770	725~770
2	770~800	725



Symbol	Content	
A	Service valve connection of the attached connecting pipe (gas side)	φ19.05 (3/4") (Flare)
B	Service valve connection (liquid side)	200V: φ9.52(3/8") (Flare) 250V, 280V: φ12.7(1/2") (Flare)
C	Cable draw-out hole (front-side)	φ30x2places
D	Cable draw-out hole (front-side)	φ45x2places
E	Cable draw-out hole (back)	φ50
F	Pipe/cable draw-out hole	4places
G	Drain discharge hole	φ20x3places
H	Anchor bolt hole	M10x4places

Notes

- (1) It must not be surrounded by walls on the four sides.
- (2) The unit must be fixed with anchor bolts. An anchor bolt must not protrude more than 15mm.
- (3) Where the unit is subject to strong winds, lay it in such a direction that the blower outlet faces perpendicularly to the dominant wind direction.
- (4) Leave 1m or more space above the unit.
- (5) A wall in front of the blower outlet must not exceed the units height.
- (6) The model name label is attached on the lower right corner of the front panel.
- (7) Connect the service valve with local pipe by using the pipe of the attachment. (Gas side only)
- (8) Regarding attaching the pipe of accessories, refer to an attached installation manual.



※In case that outdoor temperature is 44°C or lower

		Examples of installation		
		I	II	III
Dimensions	L1	Open	Open	500
	L2	300	5	Open
	L3	150	300	150
	L4	250 (5) ※1	250 (5) ※1	250 (5) ※1

※1 If unit is installed in L4 space with ( )'s condition, secure space of 250mm in lateral (L4) by unit movement at the time of exchange work of compressor.

※In case that outdoor temperature is higher than 44°C

		Examples of installation		
		I	II	III
Dimensions	L1	Open	Open	2400
	L2	300	750	Open
	L3	300	300	300
	L4	750	300	1500